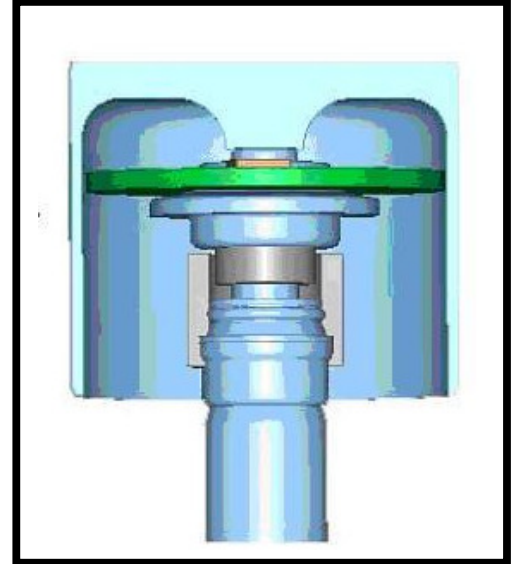


## VALVE Temperature Telemetry with type K



The ATCOM TELEMETRY System product was developed especially for the non-contact transmission of measurement on motion objects in mechanical engineering.

### **Technical Specifications :**

Maximum sample rate 100 Hz  
Resolution : +/- 0.2°C on full scale  
Temperature range : 0°C 1200°C  
Full Scale Output -5/+5V or 0-10V  
Supply current < 3 mA (according to sample rate)  
9 – 18 Volt supply range  
Operating temperature 0°C/+135°C  
Power Supply : induction

### **Sensor Specifications :**

2 channels thermocouple type K

### **RF Specification :**

digital PCM  
Line-of-sight distance : 20 mm  
Maximum operating temperature 125°C (optional 135°C)  
Maximum acceleration : 20000g  
Weight : 7 g  
Sealed to IP65